



DID YOU KNOW..

Fantech's Technical Support Professionals can cross reference your Roof Fan schedules to provide you with the project assistance you need.

USA • 800.747.1762

5FSU Series

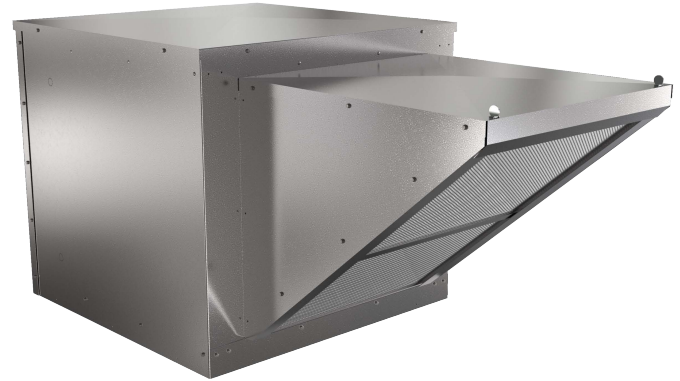
Filtered Supply Unit



Fantech, Inc. certifies that the Ventilators shown herein are licensed to bear the AMCA Seal. The ratings shown are based on tests and procedures performed in accordance with AMCA Publication 211 and AMCA Publication 311 and comply with the requirements of the AMCA Certified Ratings Program.

Belt-drive filtered supply units are designed to be installed on the roof or wall (15" and 18" units roof-mount only). The single-sided units provide filtered supply air to industrial and commercial buildings and can easily be used in commercial or industrial kitchen applications. Units include one set of 1" washable aluminum filters.

- All ventilators are UL 705 Standard listed
- AMCA licensed for sound and air
- Lifting lugs are standard on all sizes for ease of transport
- Galvanized metal housing and base
- Variable pitch sheaves to allow speed and CFM adjustments



Specification data

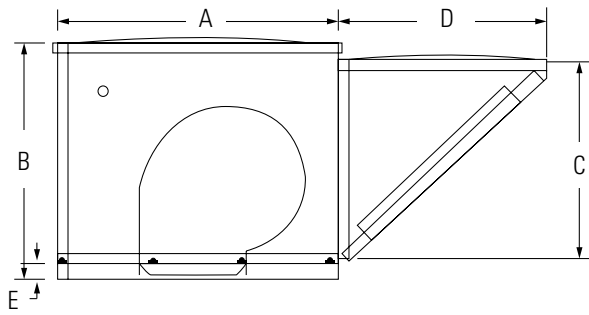
| Model | Rated power | Voltage / phase | RPM | 0.125" P _s | 0.25" P _s | 0.375" P _s | 0.50" P _s | 0.75" P _s | 1.00" P _s | 1.25" P _s | Shipping weight | UPC # | List price |
|-----------|-------------|-----------------|-------------------|---|----------------------|-----------------------|----------------------|----------------------|----------------------|----------------------|-----------------|---------|------------|
| | HP | V / ~ | min ⁻¹ | cfm | | | | | | | lbs | | USD |
| | | | | Max BHP [†] LWA [#] | | | | | | | | | |
| 5FSU 10BB | 1/4 | 120/230 / 1 | 689 | 1647 | 1387 | 1044 | 184 | - | - | - | 183 | 47640 3 | 973.00 |
| | | | | 0.29 - | 0.29 81 | 0.29 - | 0.29 - | - | - | - | | | |
| 5FSU 10CB | 1/3 | 120/230 / 1 | 760 | 1863 | 1637 | 1377 | 697 | - | - | - | 185 | 47508 6 | 1,042.00 |
| | | | | 0.38 - | 0.38 82 | 0.38 - | 0.38 - | - | - | - | | | |
| 5FSU 10DB | 1/2 | 120/230 / 1 | 870 | 2184 | 2000 | 1792 | 1557 | 334 | - | - | 198 | 47354 9 | 1,100.00 |
| | | | | 0.58 - | 0.58 82 | 0.58 - | 0.58 - | 0.58 - | - | - | | | |
| 5FSU 10FB | 1 | 120/230 / 1 | 1090 | 2811 | 2679 | 2527 | 2368 | 2011 | 1420 | - | 197 | 47355 6 | 1,136.00 |
| | | | | 1.13 - | 1.13 84 | 1.13 - | 1.13 - | 1.13 - | 1.13 - | - | | | |
| 5FSU 12EB | 1 | 120/230 / 1 | 725 | 3021 | 2769 | 2468 | 2053 | 344 | - | - | 291 | 48670 9 | 1,373.00 |
| | | | | 0.79 - | 0.79 79 | 0.79 - | 0.79 - | 0.79 - | - | - | | | |
| 5FSU 15FB | 1 | 120/230 / 1 | 670 | 3963 | 3671 | 3345 | 2931 | 1283 | 336 | - | 303 | 47776 9 | 1,518.00 |
| | | | | 1.13 - | 1.13 78 | 1.13 - | 1.13 - | 1.13 - | 1.13 - | - | | | |
| 5FSU 15GB | 1-1/2 | 120/230 / 1 | 745 | 4464 | 4216 | 3933 | 3616 | 2780 | 1079 | 340 | 309 | 47359 4 | 1,579.00 |
| | | | | 1.56 - | 1.56 81 | 1.56 - | 1.56 - | 1.56 - | 1.56 - | 1.56 - | | | |
| 5FSU 18GB | 1-1/2 | 120/230 / 1 | 592 | 5409 | 4989 | 4515 | 4043 | 2386 | 809 | - | 449 | 47361 7 | 2,109.00 |
| | | | | 1.50 - | 1.50 79 | 1.50 - | 1.50 - | 1.50 - | 1.50 - | - | | | |

Performance certified is for installation type B: Free Inlet, Ducted Outlet. Performance ratings include the effects of filters.

[†] Power ratings (BHP) do not include transmission losses. The A-weighted sound ratings are calculated per AMCA Standard 301.

[#] Values shown are for total LWA sound power levels for Installation Type B: Free Inlet, Ducted Outlet. Ratings include the effects of duct end correction for the outlet duct.

Dimensions



| Model | A | B | C | D | E |
|-----------|--------|----|----|----|-------|
| 5FSU 10BB | 30 | 25 | 21 | 22 | 1 1/2 |
| 5FSU 10CB | 30 | 25 | 21 | 22 | 1 1/2 |
| 5FSU 10DB | 30 | 25 | 21 | 22 | 1 1/2 |
| 5FSU 10FB | 30 | 25 | 21 | 22 | 1 1/2 |
| 5FSU 12EB | 34 1/2 | 32 | 26 | 30 | 2 |
| 5FSU 15FB | 34 1/2 | 32 | 26 | 30 | 2 |
| 5FSU 15GB | 34 1/2 | 32 | 26 | 30 | 2 |
| 5FSU 18GB | 42 | 36 | 31 | 33 | 2 |

Dimensional information is in inches.

Accessories



5ACC..MS
Motor disconnect
page 108